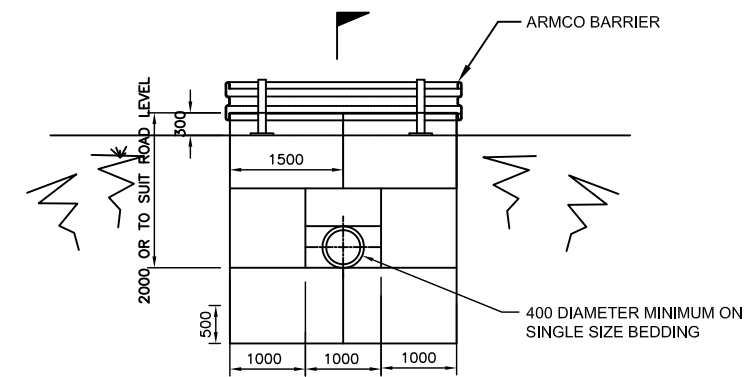
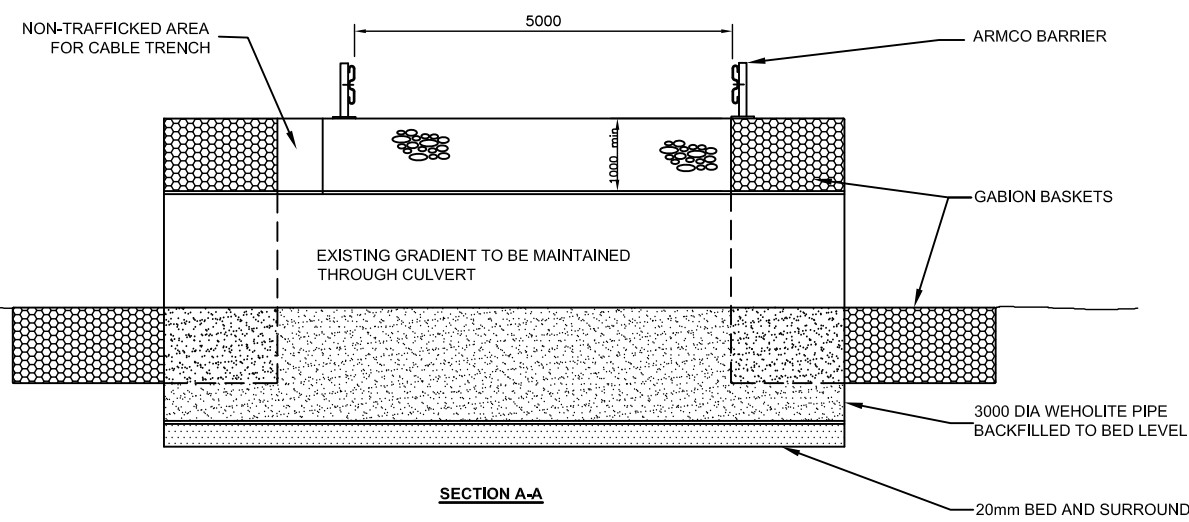


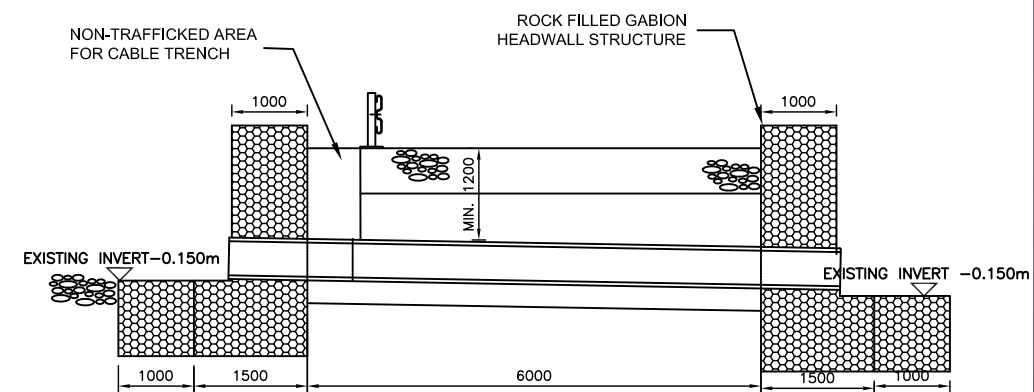
SECTION B-B



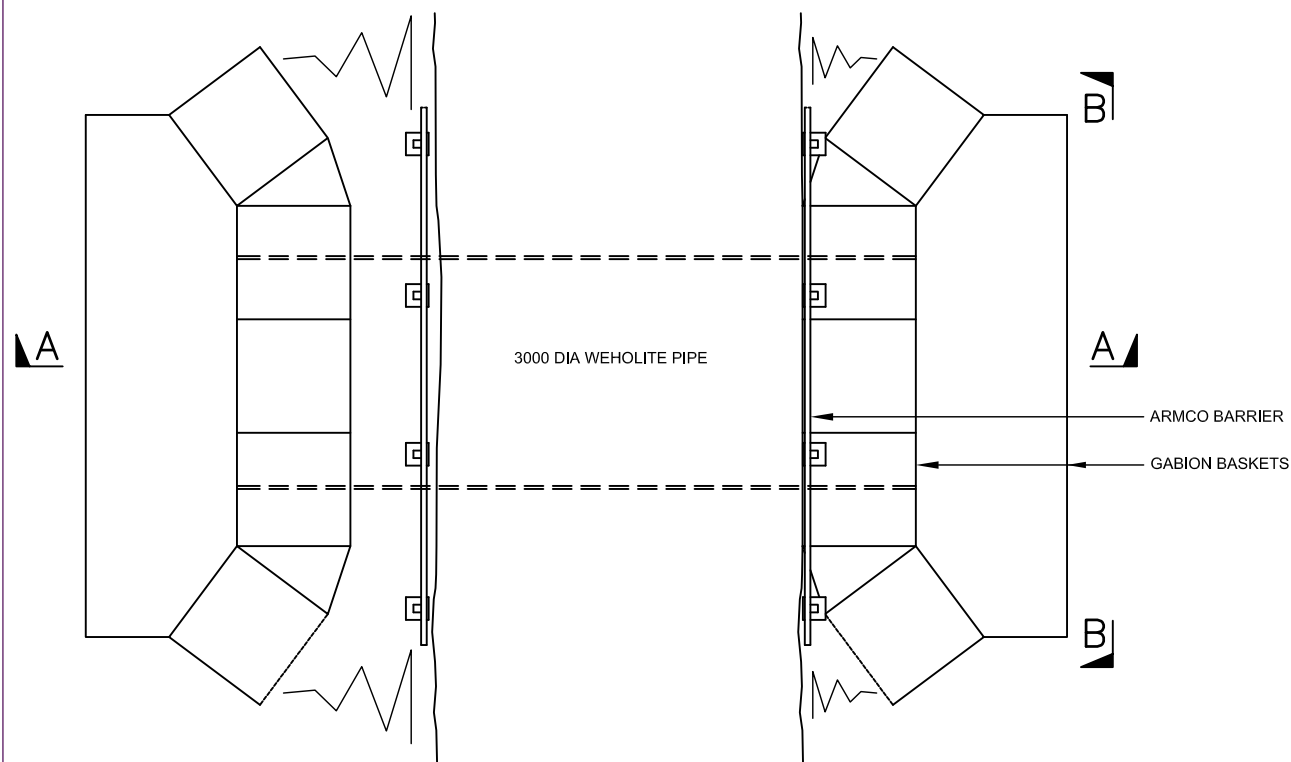
ELEVATION ON CULVERT HEADWALL



SECTION A-A



CROSS SECTION THROUGH CULVERT



Typical Land Drain Culvert

Notes:

1. All dimensions are in millimetres.
2. The culvert details are indicative.
3. Minimum diameters and invert levels based on CIRIA recommendations.
4. Final culvert design is dependant on local topography, ground conditions and flows.



Client

Enoch Hill Wind Farm
Further Environmental
Information



Figure 4.11
Typical culvert