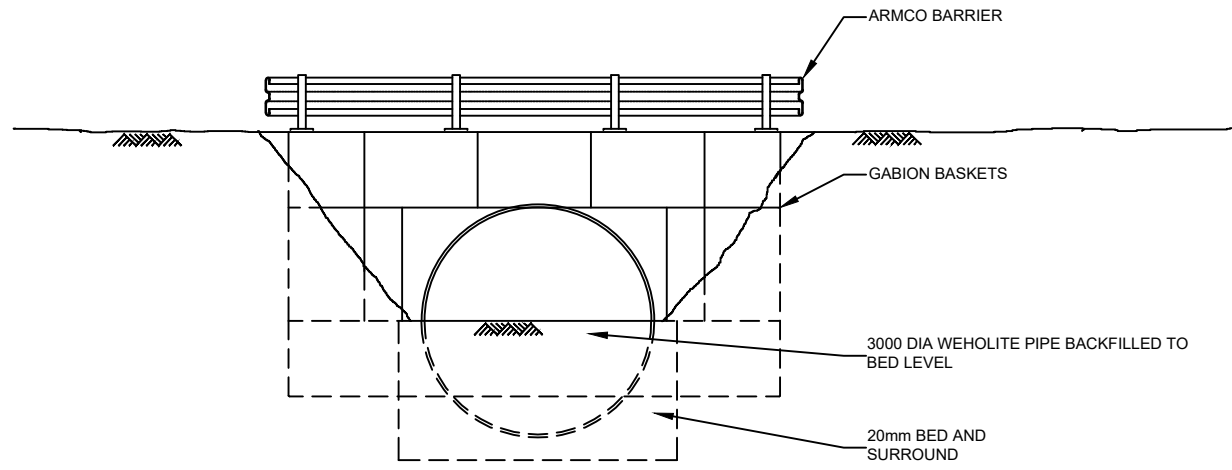
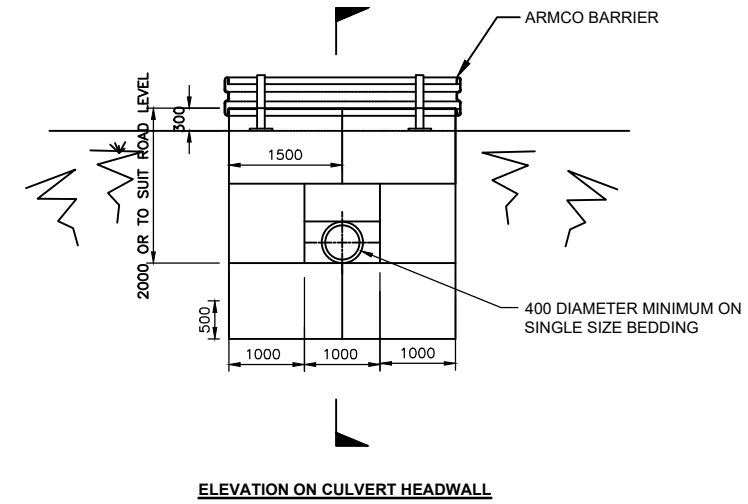


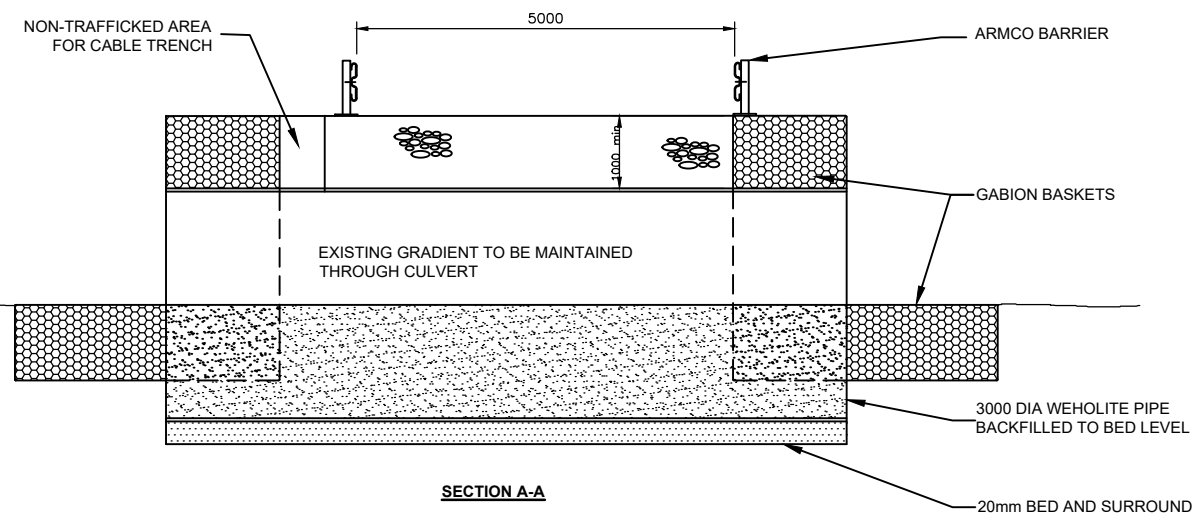
W:\GWM\DATA\PROJECT\32964 Afton II Sub Folder\040 Design\Drawings\ACAD\32964-WOOD-XX-XX-FG-C-0012_S0_P01.2.dwg Originator: GWENDA.PANNU



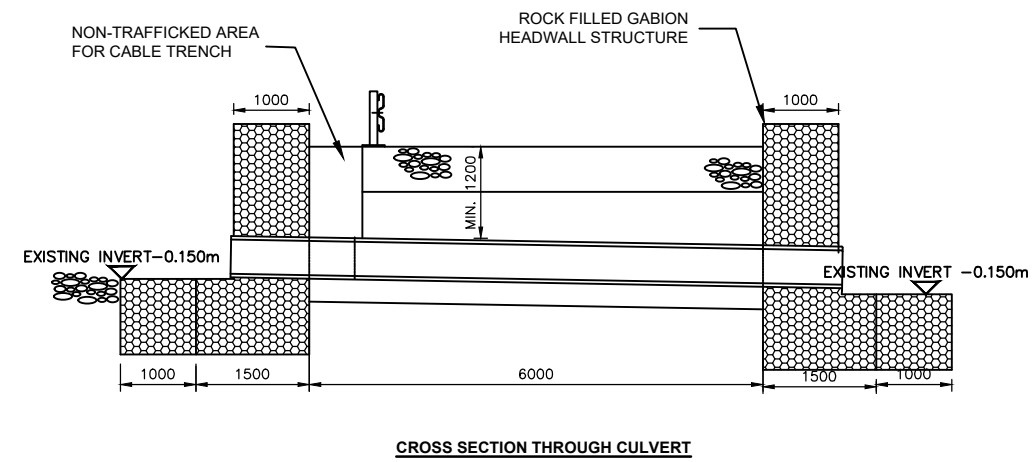
SECTION B-B



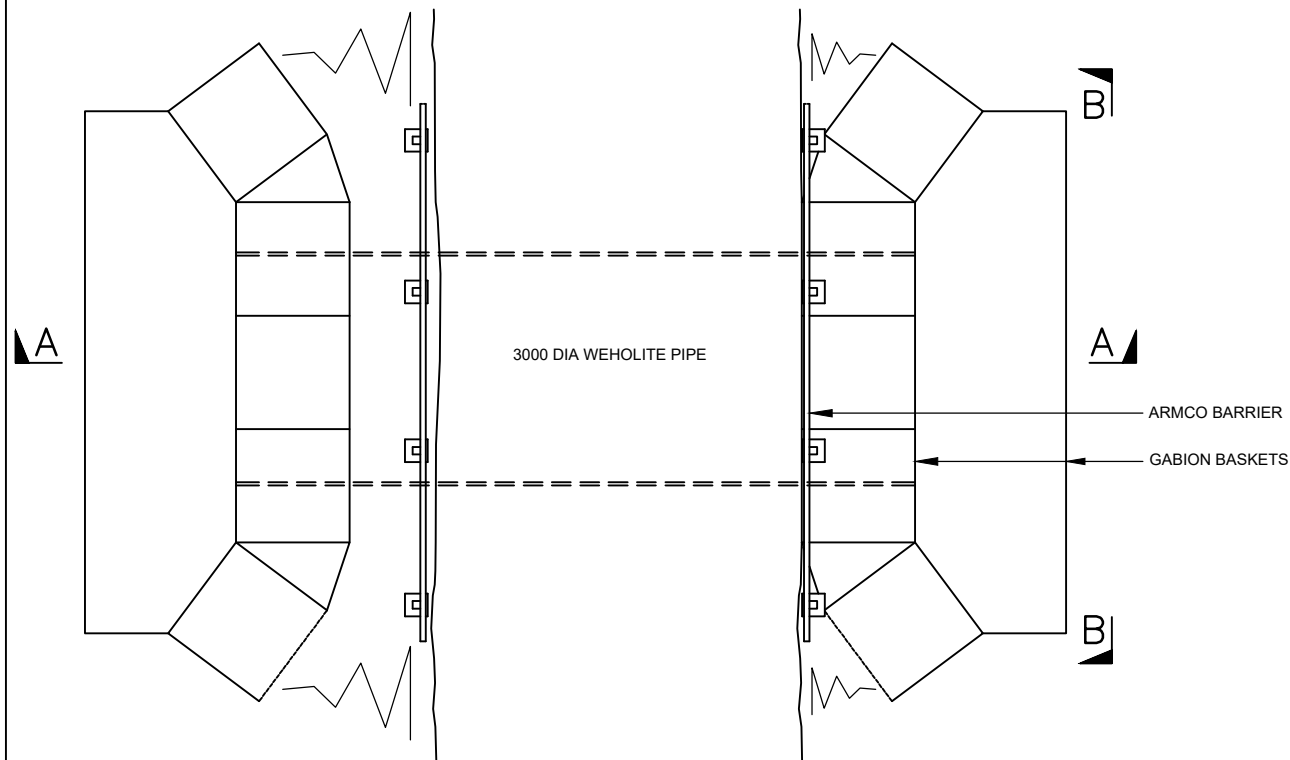
ELEVATION ON CULVERT HEADWALL



SECTION A-A



CROSS SECTION THROUGH CULVERT



Typical Land Drain Culvert

Notes

- All dimensions are in millimetres.
- The culvert details are indicative.
- Minimum diameters and invert levels based on CIRIA recommendations.
- Final culvert design is dependant on local topography, ground conditions and flows.

0 m  5 m

Scale 1:100 @ A3

Based upon 32964-Gla230.dwg dated 2015

Client



Lorg Wind Farm
Environmental Impact Assessment Report

**Figure 3.11
Indicative culvert**

October 2022

